



THE WORLD'S SMALLEST CASE PACKER

revolutionary. patented.

CASES ARE FORMED, PACKED, SEALED AND PALLETIZED ALL IN ONE PLACE!

pre-staged tape is instantly stamped on to the case

products are conveyed to box edge

sealed box is palletized without walking

palletized cases

flat boxes -
no preforming needed



>> packpod also doubles as a 10 case per minute case maker

10 CASE PER MIN. CASE MAKER

Tape is bonded instantly, size changes in less than 1 min.



A revolutionary simple answer for tape erecting cases. Ergonomic waist high forming, cases are delivered back into the packers hands.

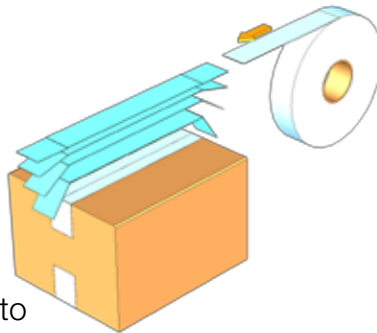
NOMINAL CASE SIZES

[for detailed case size range, please see page 3]

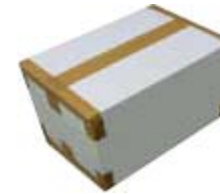
LENGTH: 8" min - 24" max
WIDTH: 6" min - 16" max
DEPTH: 3.5" min - 18" max

"The Simplest Solution"

Premetered tape is instantly and tightly pressed onto the case



UNIQUE CAPABILITIES



'H' Taped boxes

Seals all seams - dust, vermin and pilfer proof



Gap Flapped Boxes

1 or 2 tapes can be used to seal gap flapped boxes to save material



Multi Trip Boxes

Packpod can seal even well used multitrip boxes as well as out of spec cases



Reverse Flap Folding

Smooth floor avoids cutting or indenting delicate products

SmartPack

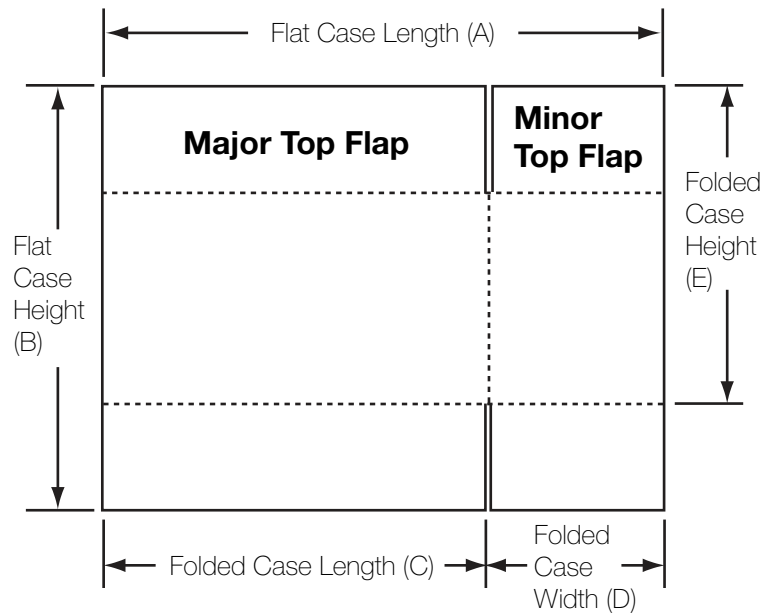
AN INNOVACO PARTNER

Call Thermal Tech Equipment (800) 444-2770

NOMINAL CASE SIZE RANGE

LENGTH		WIDTH		HEIGHT	
MINIMUM	MAXIMUM	MINIMUM	MAXIMUM	MINIMUM	MAXIMUM
8.0" (203mm)	24.0" (609mm)	6.0" (152mm)	16.0" (406mm)	3.5" (89mm)	18.0" (457mm)

DETAILED CASE SIZE RANGE



	MIN.	MAX.
A	14.0" (356mm)	40.0" (1,016mm)
B	9.5" (241mm)	34.0" (863mm)
C	8.0" (203mm)	24.0" (609mm)
D	6.0" (152mm)	16.0" (406mm)
E	10.5 (266mm)	26.0 (660mm)